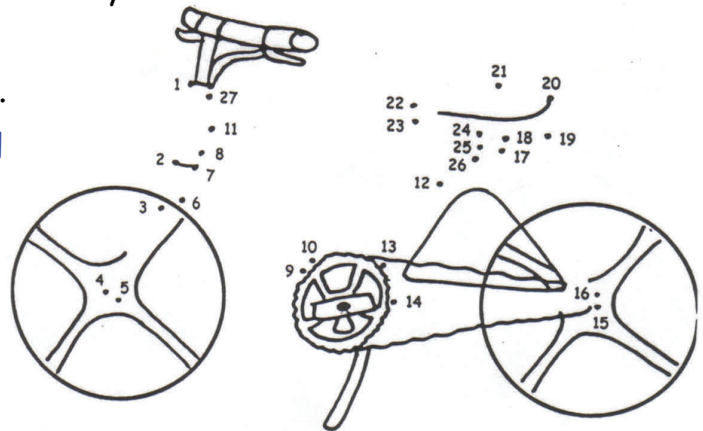


Be a Safe Bike Driver

True or False?

- ___ I should ride my bike on the sidewalk until a grown-up I live with says I can ride on the street.
- ___ I should stop before crossing the street and look LEFT-RIGHT-LEFT for cars.
- ___ Watch out for cars coming out of driveways and stop if there is a car.
- ___ When I do ride on the street, I should ride on the right side—the same as cars.
- ___ I should wear my helmet when I ride my bike.
- ___ I should have fun riding my bike.

Here are the answers — They are all TRUE!!



Here's Another Quiz

Do the "Eyes, Ears, Mouth Test" to make sure your helmet fits. (Fill in the blanks.)

You should see the front of your helmet when you look up past your ____brows.

The straps should meet right under your _____ to make a Y.

The straps should be tight enough that you can feel the helmet pull down if you open your _____, but loose enough that you can breathe!

ANSWERS: EYES, EARS, MOUTH!!

If your helmet doesn't fit right, have a grown-up you know help you fix it.



Alabama Bicycle Coalition
For more information, go to "Safety Education"
at www.bikelib.org

*Thanks to the Bicycle Coalition of Maine and
League of Illinois Bicyclists*

Intended for younger elementary and
pre-school children.