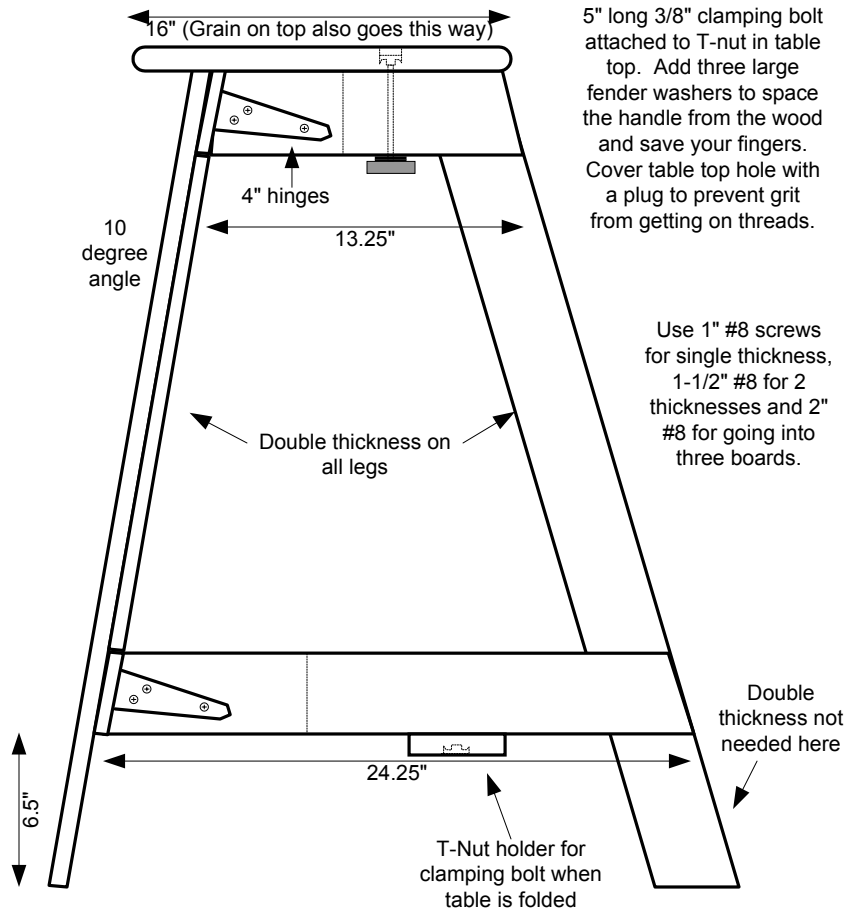
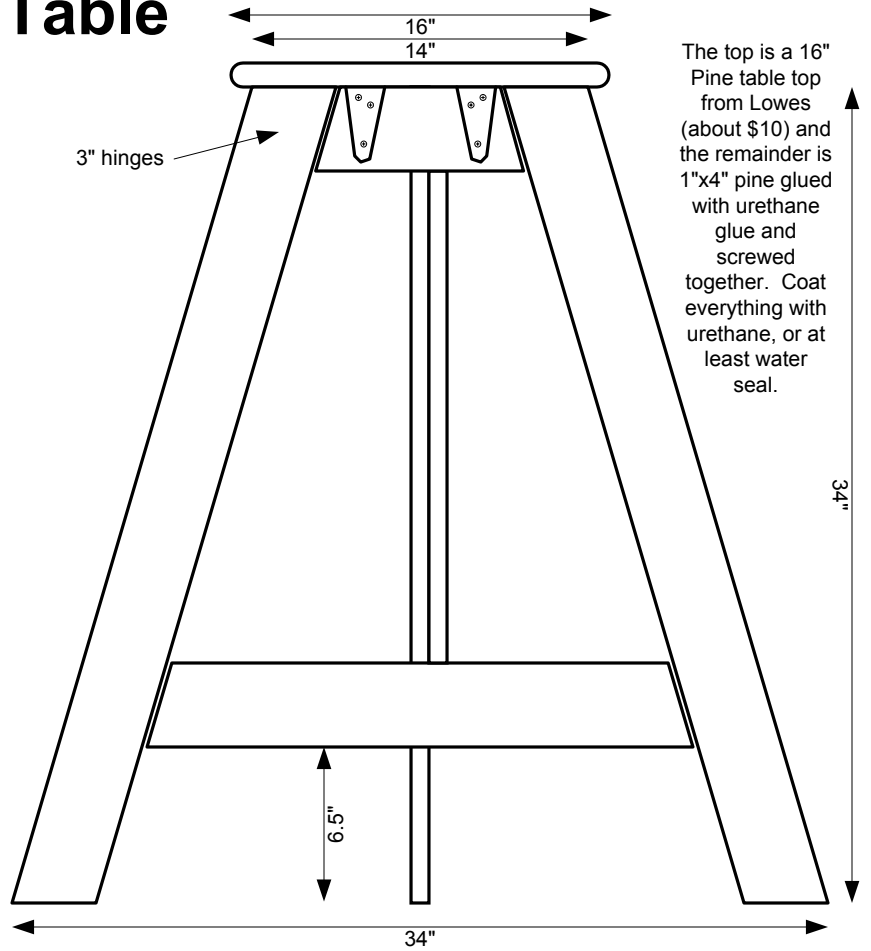


16" Folding Grinding Table





Top up with the folding leg open. The clamping bolt goes through the opening in the top of the leg and into the hole on the underside of the top where it threads into a T-Nut.



Close-up of the clamping bolt. It's a 5" long 3/8" bolt with three large fender washers and a retainer to hold everything together.



Another view of the top of the legs where the clamping bolt goes through and attaches to the top. The clamping bolt (black circle at bottom) is stored in the bottom of the legs with another T-Nut. In retrospect it could have also been used to keep the leg from 'flopping' when folded up if placed horizontally.



Here's the completed table folded up (right)



The top of the top. Notice the plug where the T-Nut was inserted. The lines are for placing screw holes for cleats and make it easier to relocate the holes and avoid the plug.



The top hinges with 'the top down'